

Every 1,200 miles :

- (1) - Remove the air cleaner from the carburettor and wash it in a 30% gasoline-oil bath.
- (2) - Check oil level in the gear box (see above).
- (3) - Clean the sparkplug electrodes with very fine emery cloth or suitable files, and adjust the gap to .6 mm. (.023").

Inspect the insulation material of sparkplug; replace the latter if the porcelain is cracked. Whash with neat gasoline.

Use the sparkplug type ALLSTATE No. A 4 150.

Important: using the proper type of sparkplug will eliminate many engine troubles.

- (4) - Clean the two lubricators on front wheel hub and refill them by means of a grease gun.

N.B. - All operations indicated hereunder should be carried out by a SEARS store.

- (5) - Clean and adjust the breaker points of the flywheel magneto (see Fig. 16) to .4 mm. gap (.015").

Every 1,800 miles. - Grease the felt which lubricates the cam of flywheel magneto.

In case of shock-absorber troubles, overhaul or simply clean the assembly and change oil.

These operations should be carried out by your SEARS store.

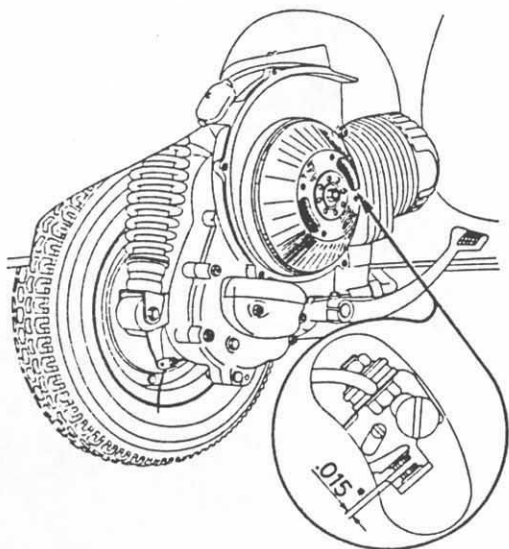


Fig. 16 - Breaker points

Every 3,000 miles. - Clean the muffler and decarbonize the engine as explained hereunder. Remove the muffler, the cooling hood, the cylinder head and the cylinder (see Fig. 17). Decarbonize the piston crown and the cylinder ports from all carbon deposits. Decarbonize the inner side of the cylinder head. Clear carefully the cylinder from carbon deposits.

Heat the exhaust pipe of the muffler and clean it either by scratching it inside with a hook wire or blowing air through from the other orifice; in both cases the muffler should be held so that the exhaust pipe is turned downwards.

Disuse :

- (1) - In such a case, cleaning the scooter thoroughly is advisable.
- (2) - Start the engine and run it at low revs in neutral. Pump 60 cc. of **Allstate Regular Oil SAE 30** or **Allstate Outboard Motor Oil** through hole in the air cleaner into the carburettor intake, by means of an oiler.
- (3) - Rest the floorboard on two wooden blocks in order to take the weight off the tyres.
- (4) - Drain all fuel from both tank and carburettor.
- (5) - Grease all unpainted metal parts.

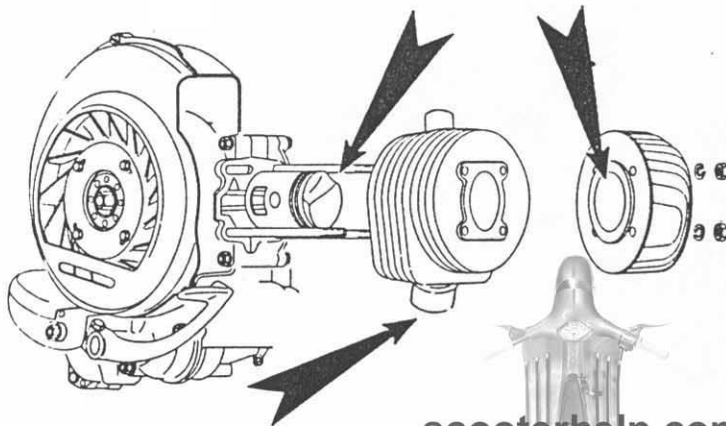


Fig. 17 - Cleaning the cylinder head, cylinder and piston